



a xylem brand

Technical data

Diameters

Swivel nut	52 mm
Flange	56.3 mm

Overall length, when assembled

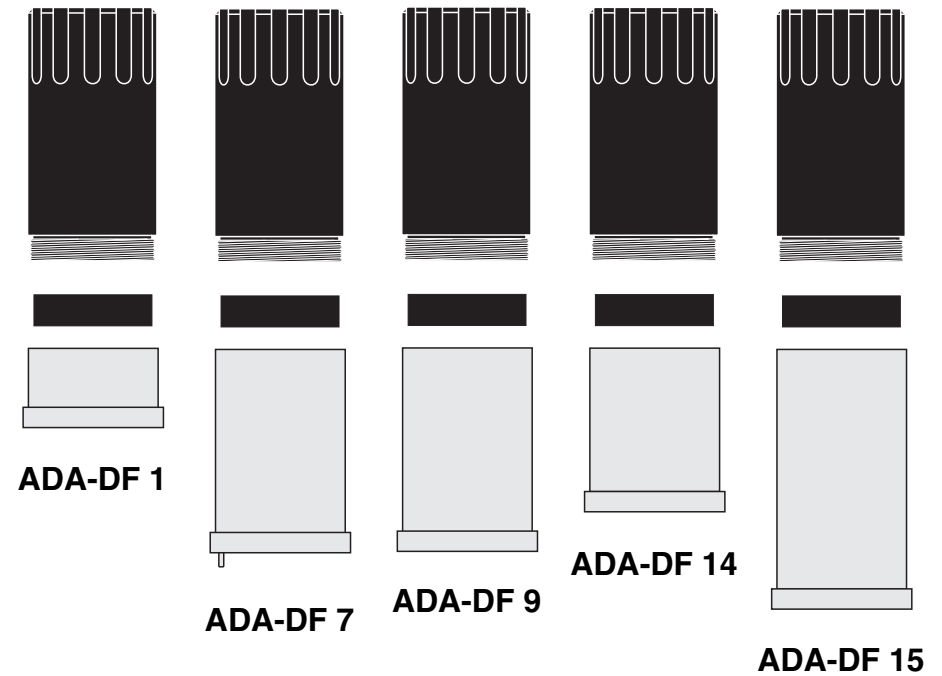
ADA-DF 1	121.5 mm
ADA-DF 7 (without pin)	170.5 mm
ADA-DF 9	170.5 mm
ADA-DF 14	165,5 mm
ADA-DF 15	204,5 mm

Material

Metal parts	Stainless steel V4A (1.4571)
Plastic parts	POM

Installation Manual

Adapter

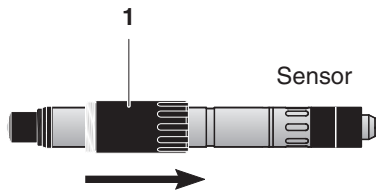


Assembly



Before assembling a VisoTurb 700 IQ or ViSolid 700 IQ sensor into the EBST 700-DU/N flow-thru armature, please additionally observe the special assembly instructions in the sensor instruction manual.

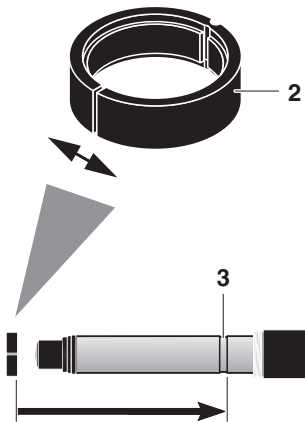
Example: Assembling a TriOxmatic 700 IQ into the ADA-DF 9 adapter.



- 1** Slide the swivel nut (1) over the sensor. The thread must point to the sensor head.



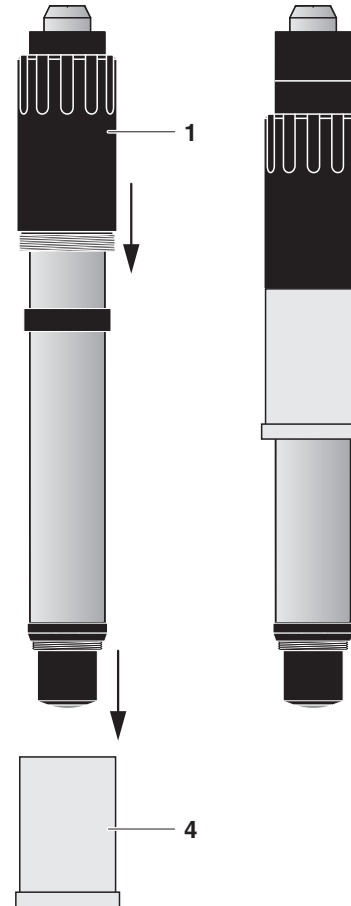
Depending on the length of the sensor, the sensor must be connected to the connection cable before mounting it.



- 2** Carefully widen the retaining ring (2) at the ring opening and slide it over the sensor shaft up to the groove (3).



Widen the retaining ring slightly only. Do not mount it from the side. Danger of damaging the ring!



- 3** Insert the sensor with the mounted retaining ring in the sleeve (4) and fix it using the swivel nut (1).

- 4** Put the sensor into the mounting opening provided and, if necessary, fasten it using the swivel nut of the armature or the flow-thru vessel.